






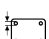




Swivel castor:

JZNY 0802 6150



Technical data

Diameter		80 mm
Wheel width		37 mm
Hub length		45 mm
Height		120.5 mm
Offset		45 mm
Wheel axle diameter		15 mm
Top plate dimensions		105x86 mm
Top plate hole diameter		9 mm
Dist. between holes		80/77x60 mm
Load capacity		400 kg

Technical description

Heavy duty swivel fork of deep drawn zinc-coated steel Swivel head with sealed precision ball bearings and a sealing



Wheel

Heavy-duty polyamide wheels with 2 sealed ball bearings. Operating temperatures from -40°C to +80°C