




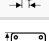
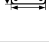
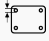
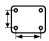



Swivel castor:

JCTB 0803 6101



Technical data

Diameter		80 mm
Wheel width		30 mm
Hub length		30 mm
Height		105 mm
Offset		30 mm
Top plate dimensions		120 x 85 mm
Top plate hole diameter		9 mm
Dist. between holes		95 x 60 mm
Load capacity		85 kg
Weight		2.1 kg

Technical description

Swivel fork of ductile cast iron GGG 40

Swivelhead with sealed precision ball bearing

and a grease nipple



Wheel

Glass fibre reinforced polyamide hub, with fully elastic black rubber tyre

(Shore A 65) and two deep groove ball bearings