




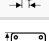
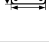
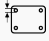
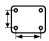



Swivel castor:

JCCN 0803 6102



## Technical data

|                         |   |             |
|-------------------------|---|-------------|
| Diameter                |    | 80 mm       |
| Wheel width             |    | 30 mm       |
| Hub length              |    | 36 mm       |
| Height                  |    | 105 mm      |
| Offset                  |    | 30 mm       |
| Top plate dimensions    |    | 120 x 85 mm |
| Top plate hole diameter |    | 9 mm        |
| Dist. between holes     |   | 95 x 60 mm  |
| Load capacity           |  | 200 kg      |
| Weight                  |  | 2.5 kg      |

## Technical description

Swivel fork of ductile cast iron GGG 40

Swivelhead with sealed precision ball bearing

and a grease nipple



## Wheel

Cast iron wheel with two deep groove ball bearings